

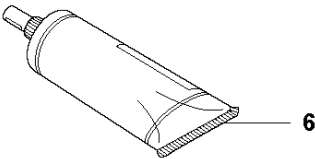
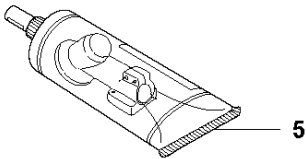
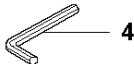
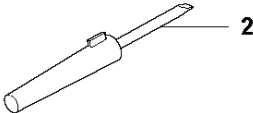
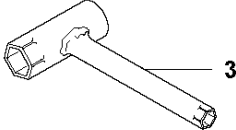
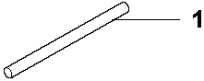


SPARE PARTS LIST

TRIMMERS/EDGERS

327 ES, 2012-01

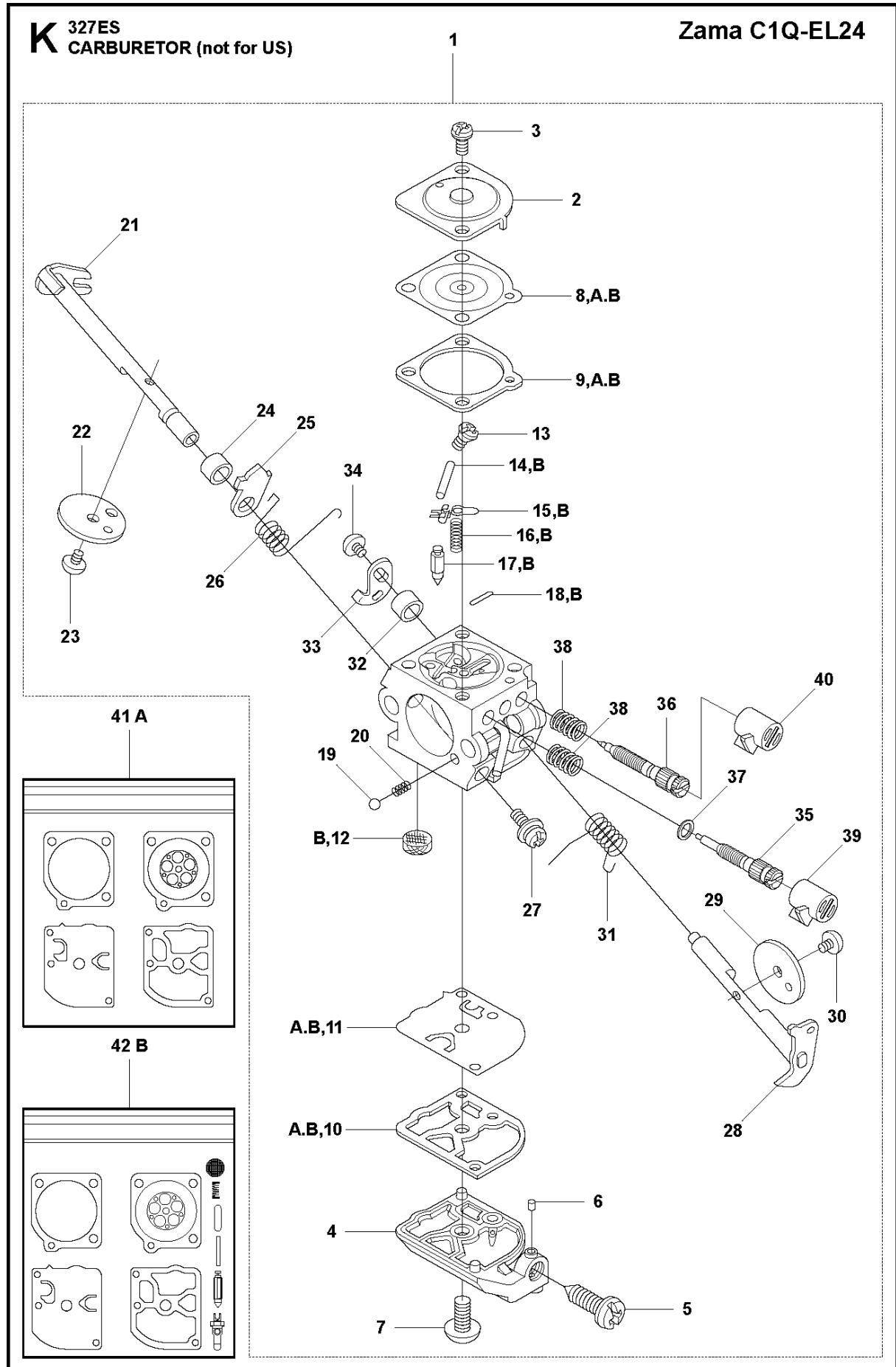
L 327ES



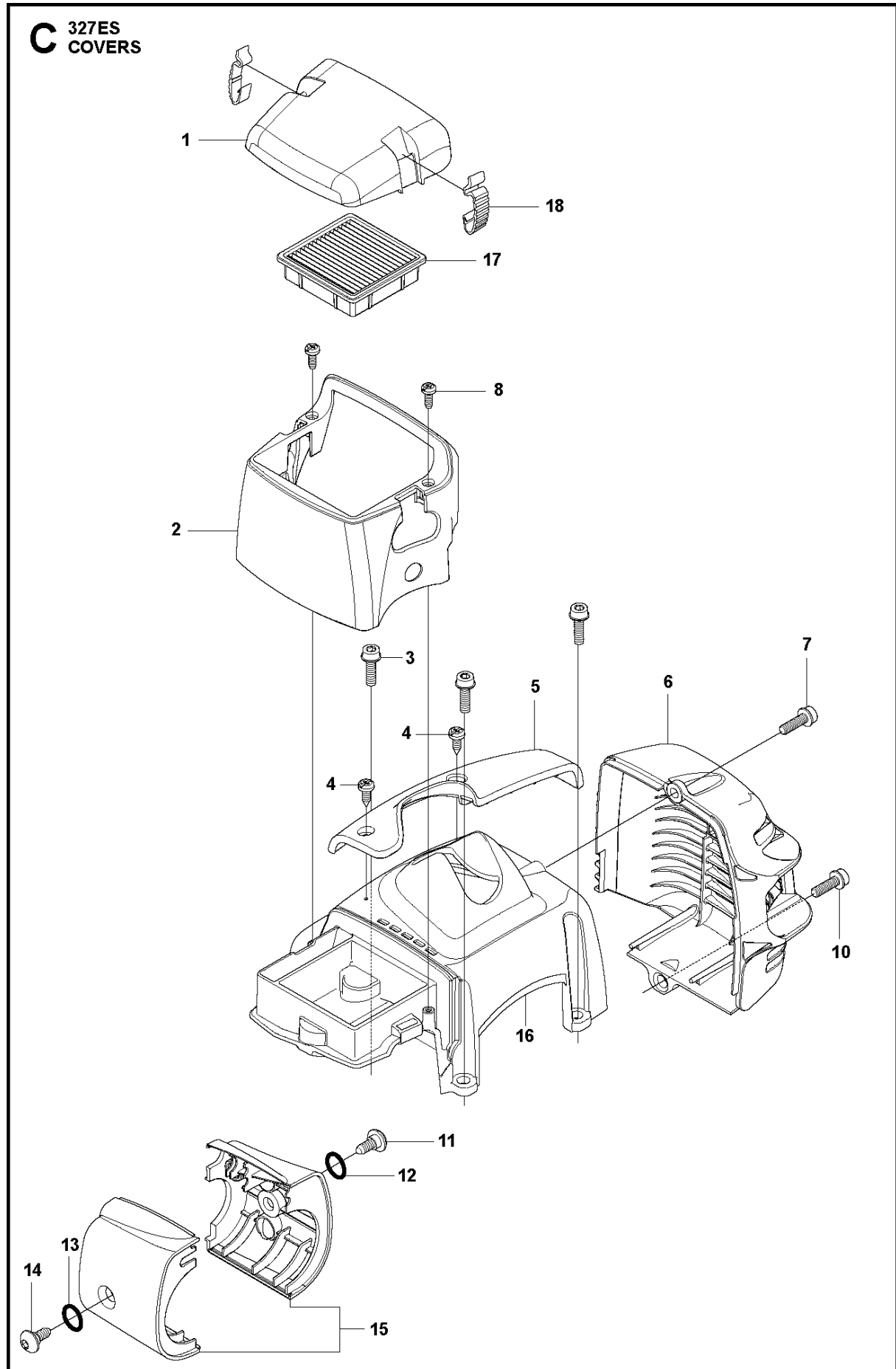
ACCESSORIES

327 ES, 2012-01

Ref	Part No	Description	Remark	QTY KIT
1	502 28 59-01	STOP		1
2	501 60 02-03	SCREWDRIVER		1
3	502 11 46-02	SOCKET WRENCH		1
4	502 21 58-01	L-NYCKEL		1
5	503 97 64-01	GREASE		1
6	503 80 17-01	GREASE		1



Ref	Part No	Description	Remark	QTY	KIT
1	503 28 34-01	CARBURETTOR	Zama C1Q-EL24, NOT FOR US	1	
2	503 97 43-01	COVER		1	1
3	503 48 05-01	SCREW		2	1
4	537 02 02-01	COVER		1	1
5	537 02 07-01	SCREW		1	1
6	503 48 11-01	PIECE		1	1
7	503 47 96-01	SCREW		1	1
8	537 04 89-01	DIAPHRAGM		1	1, A, B
9	537 02 04-01	GASKET		1	1, A, B
10	537 02 01-01	GASKET PUMP		1	1, A, B
11	537 02 00-01	DIAPHRAGM PUMP		1	1, A, B
12	503 53 57-01	STRAINER		1	1, B
13	503 48 01-01	SCREW		1	1
14	503 48 00-01	PIN RETAINING SCREW		1	1, B
15	503 66 59-01	LEVER		1	1, B
16	537 02 03-01	SPRING		1	1, B
17	503 47 97-01	VALVE		1	1, B
18	537 02 08-01	PLUG		1	1, B
19	537 01 25-01	BALL		1	1
20	537 01 26-01	SPRING		1	1
21	537 02 09-01	SHAFT ASSY		1	1
22	537 37 03-01	VALVE		1	1
23	503 48 18-01	SCREW		1	1
24	503 48 19-01	COLLAR		1	1
25	537 04 90-01	LEVER		1	1
26	537 02 10-01	SPRING		1	1
27	503 75 53-01	SCREW		1	1
28	537 01 96-01	SHAFT ASSY		1	1
29	537 01 99-01	VALVE		1	1
30	503 47 92-01	SCREW		1	1
31	537 01 97-01	SPRING		1	1
32	503 47 89-01	COLLAR		1	1
33	537 01 98-01	LEVER		1	1
34	503 47 90-01	SCREW		1	1
35	537 02 06-01	SCREW		1	1
36	537 12 78-01	SCREW		1	1
37	503 97 40-01	WASHER		1	1
38	503 48 08-01	SPRING		1	1
39	537 02 16-01	LIMITER CAP		1	1
40	537 02 16-01	LIMITER CAP		1	1
41	531 00 45-52	GASKET KIT		1	
42	531 00 45-53	SET		1	

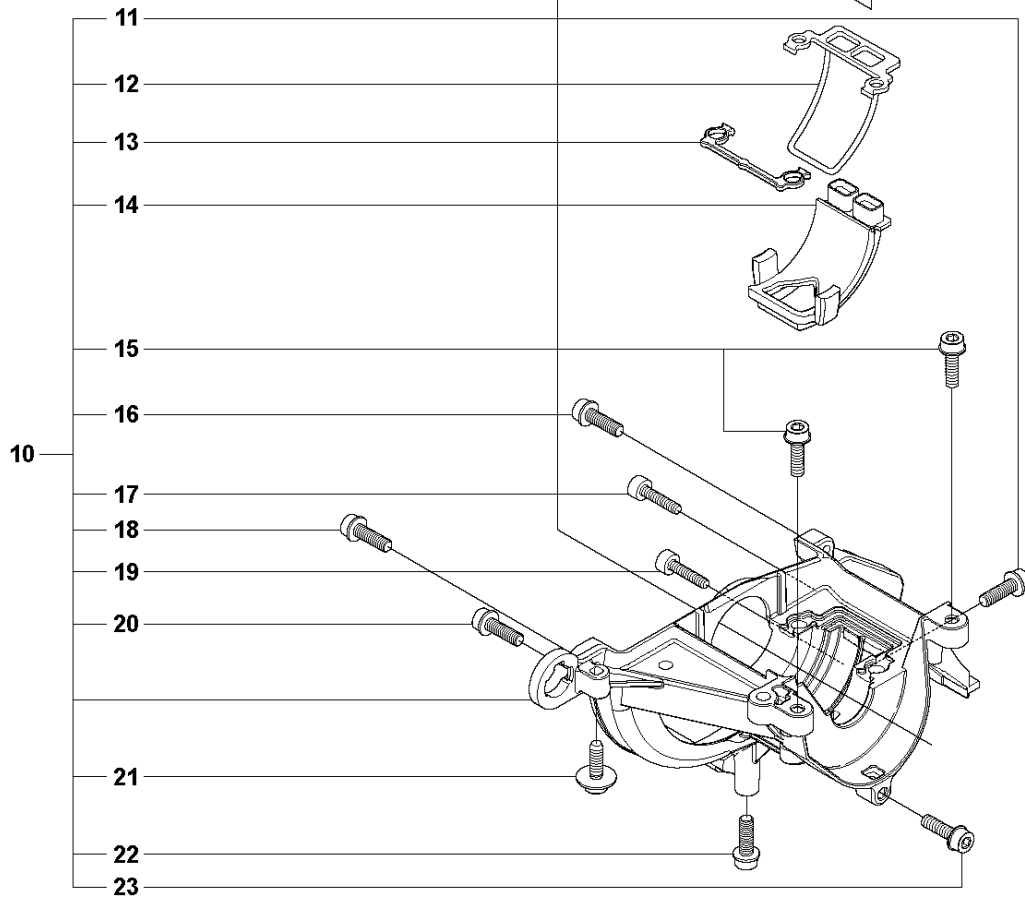
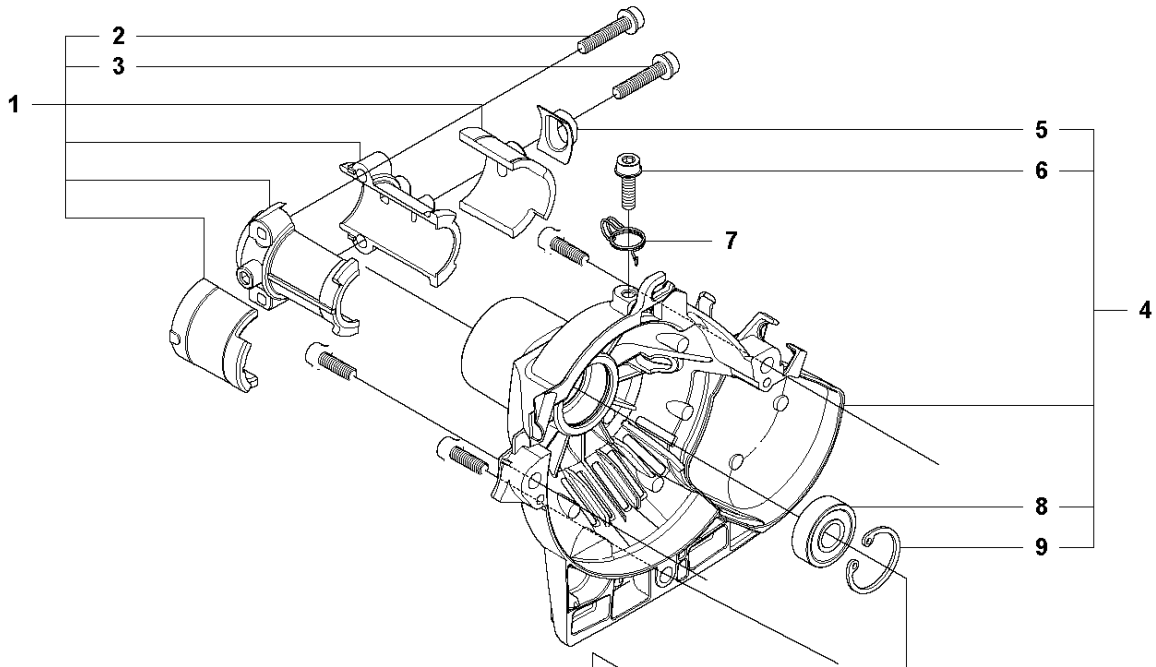


COVER

327 ES, 2012-01

Ref	Part No	Description	Remark	QTY KIT
1	505 14 20-01	FILTER COVER		1
2	505 14 22-01	COVER		1
3	503 20 03-16	SCREW IHSCFM	M5x16	4
4	503 21 35-12	SCREW CCRPANT		2
5	502 48 16-01	ARM PROTECTION		1
6	544 84 81-01	HEAT PROTECTOR		1
7	503 21 68-20	SCREW IHSCFT		1
8	503 21 29-10	SCREW CCRPANT		2
10	503 20 03-16	SCREW IHSCFM		1
11	503 96 13-01	SCREW		1
12	740 42 06-00	O-RING		1
13	740 42 06-00	O-RING		1
14	503 96 13-01	SCREW		1
15	502 48 15-01	COVER		1
16	505 14 18-02	CYLINDER COVER ASSY		1
17	505 27 10-01	FILTER		1
18	537 38 72-01	SNAP		2

H 327ES
CRANK CASE

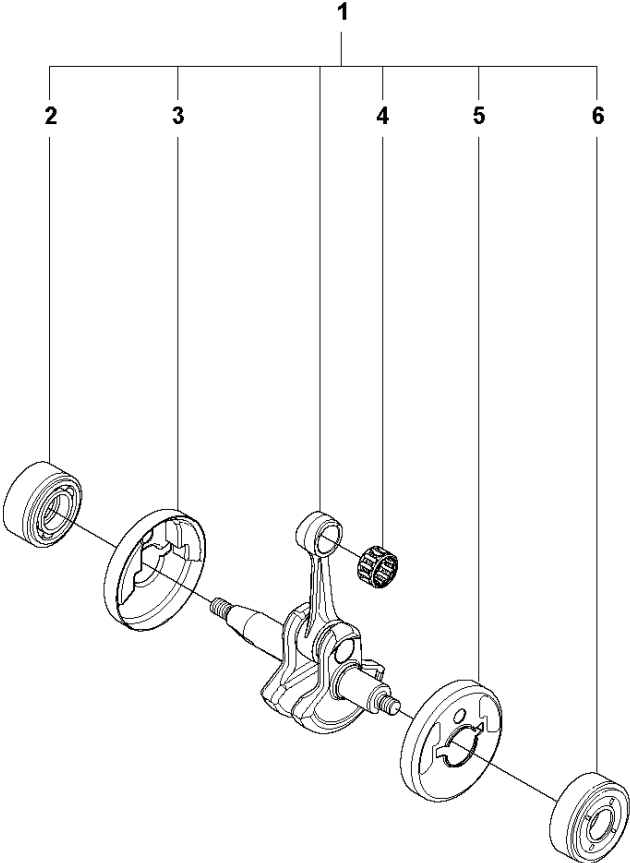


CRANKCASE

327 ES, 2012-01

Ref	Part No	Description	Remark	QTY	KIT
1	537 30 96-01	COMPRESSION SLEEVE		1	
2	503 21 68-25	SCREW IHSCFT		1	1
3	503 21 68-25	SCREW IHSCFT		1	1
4	537 04 12-09	CLUTCH COVER		1	
5	537 42 50-01	PROTECTIVE PLATE		1	4
6	503 20 03-16	SCREW IHSCFM	M5x16	1	4
7	537 07 36-01	SPRING		1	
8	503 25 05-01	BALL BEARING		1	4
9	537 33 67-01	CIRCLIP		1	4
10	537 08 52-02	CRANKCASE		1	
11	503 20 03-16	SCREW IHSCFM		1	10
12	537 06 69-01	GASKET CRANKCASE		1	10
13	537 08 85-01	GASKET		1	10
14	537 06 68-01	INSERT CRANKCASE		1	10
15	503 20 03-16	SCREW IHSCFM		1	10
16	503 20 03-16	SCREW IHSCFM		1	10
17	503 21 66-18	SCREW IHSCFT		1	10
18	503 20 03-16	SCREW IHSCFM		1	10
19	503 21 66-18	SCREW IHSCFT		1	10
20	503 20 03-16	SCREW IHSCFM		1	10
21	503 21 77-16	SCREW IHSCFT		1	10
22	503 20 14-12	SCREW IHSCFMO	M5x12	1	10
23	503 20 03-16	SCREW IHSCFM		1	10

J 327ES
CRANK SHAFT

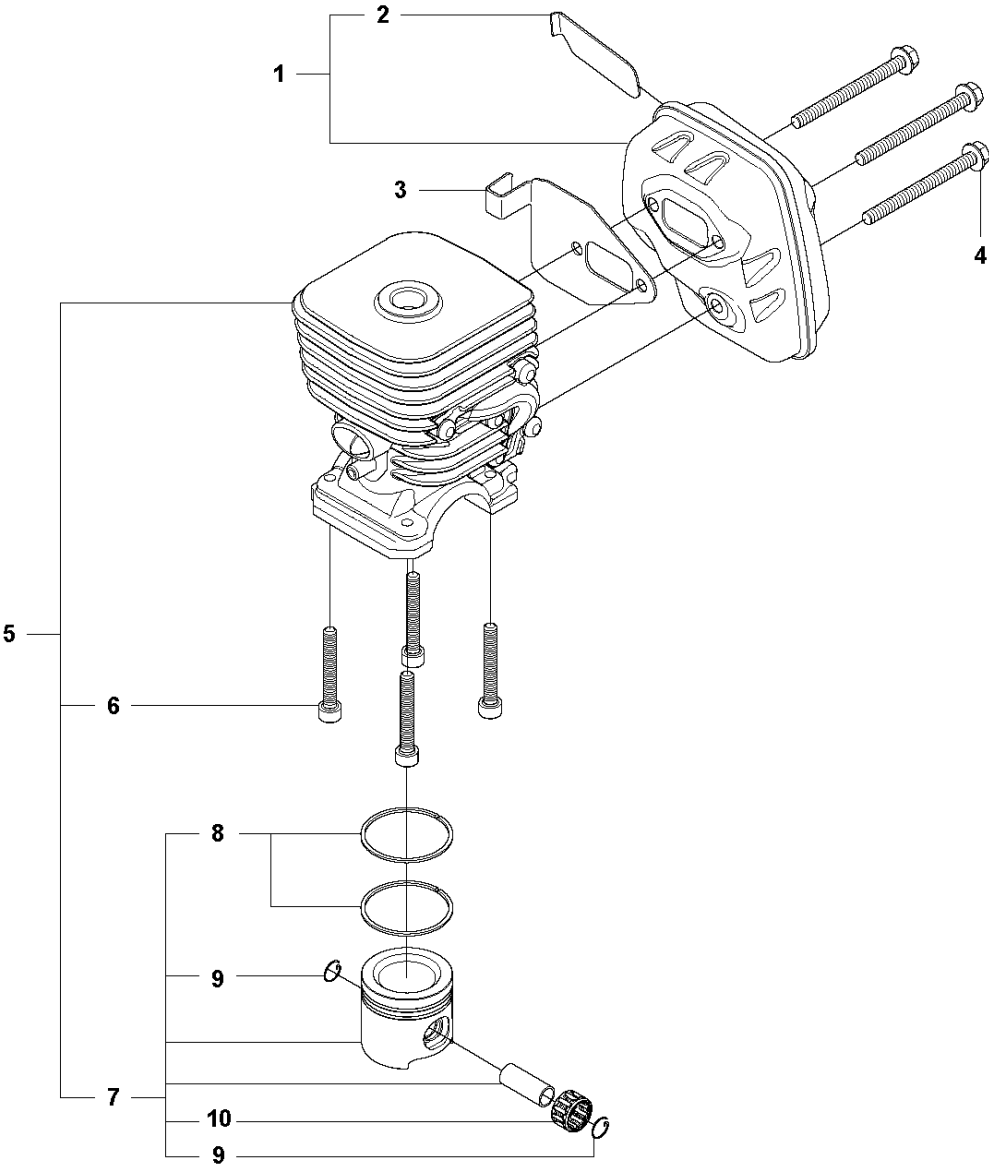


CRANKSHAFT

327 ES, 2012-01

Ref	Part No	Description	Remark	QTY	KIT
1	503 85 24-74	CRANKSHAFT ASSY		1	
2	503 94 02-03	BEARING CAGE		1	1
3	503 94 05-01	CUP		1	1
4	503 71 22-01	BEARING		1	1
5	503 94 05-01	CUP		1	1
6	503 94 02-03	BEARING CAGE		1	1

G 327ES
CYLINDER PISTON & MUFFLER

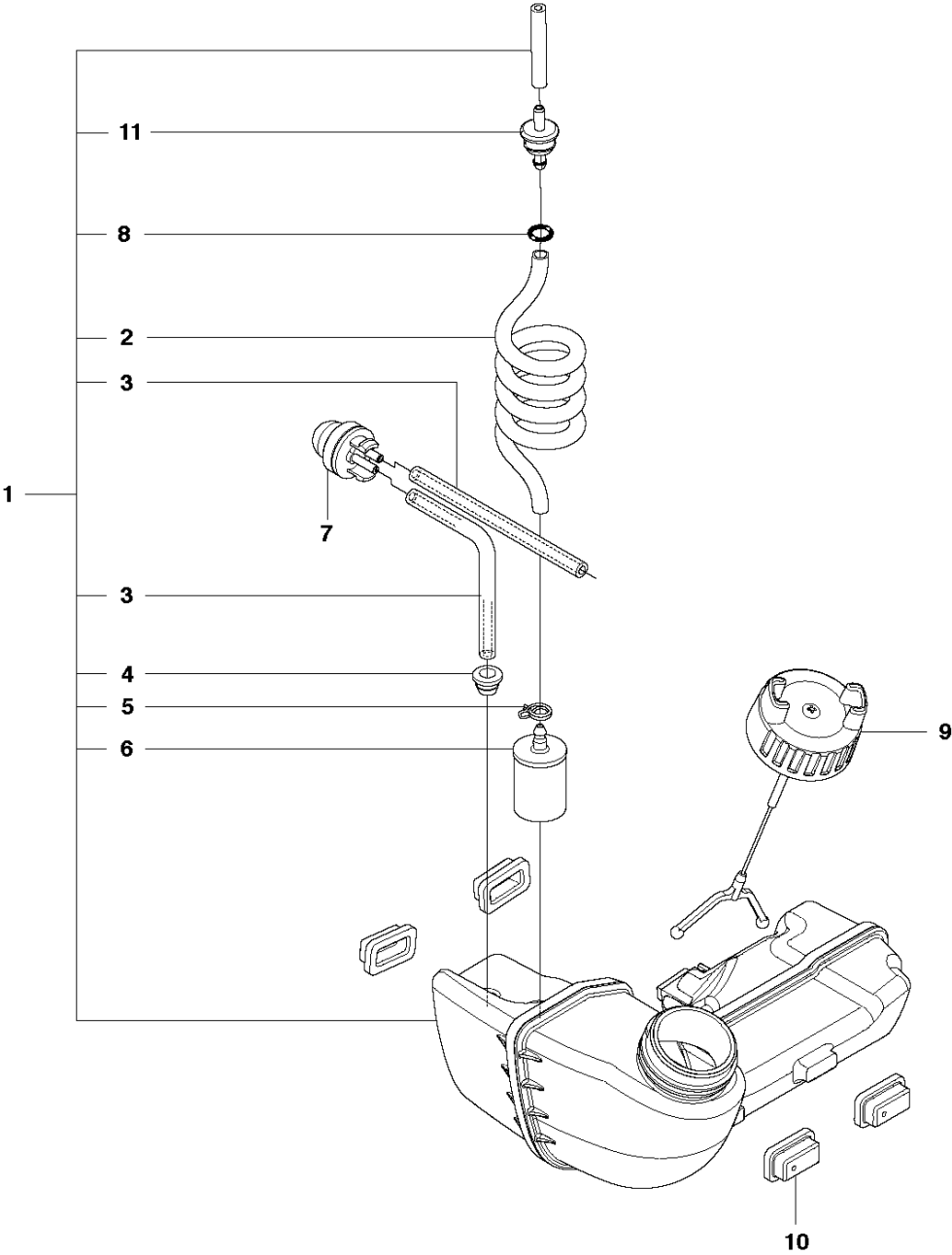


CYLINDER, PISTON & MUFFLER

327 ES, 2012-01

Ref	Part No	Description	Remark	QTY KIT	
1	537 22 17-04	MUFFLER ASSY	Cat.	1	
2	537 22 18-01	SPARK ARRESTOR SCREEN		1	1
3	537 01 41-01	GASKET		1	
4	502 07 81-01	SCREW EHHFM		3	
5	537 08 51-03	CYLINDER	Ø=34mm	1	
6	503 20 07-35	SCREW IHSCFM		4	5
7	537 40 59-02	PISTON		1	5
8	537 40 62-01	PISTON RING		1	7
9	737 44 08-00	CIRCLIP		1	7
10	503 71 22-01	BEARING		1	7

E 327ES
FUEL TANK

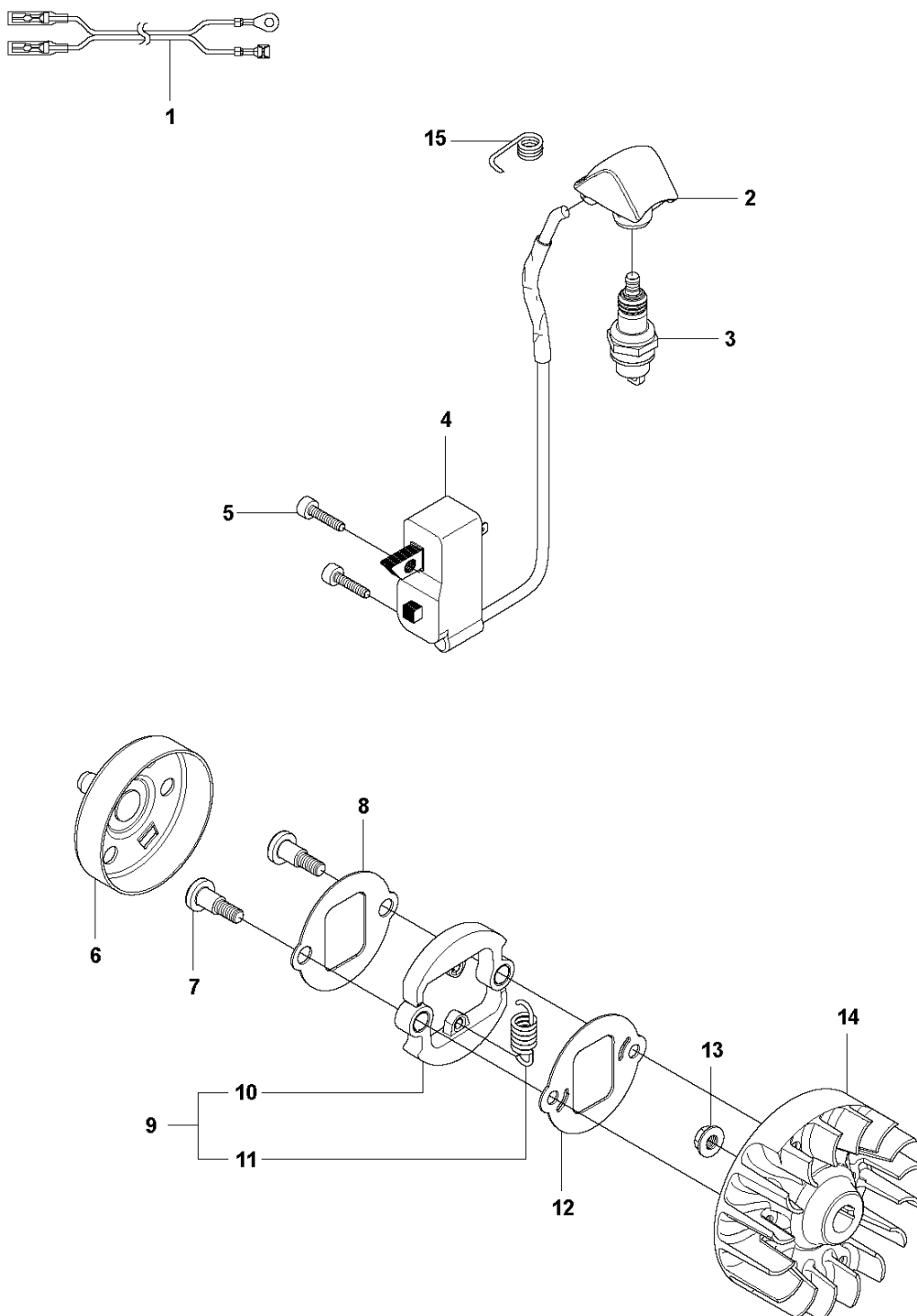


FUEL TANK

327 ES, 2012-01

Ref	Part No	Description	Remark	QTY KIT	
1	584 25 80-01	FUEL TANK ASSY		1	
2	581 75 62-01	FUEL HOSE		1	1
3	537 04 24-01	FUEL HOSE		1	1
4	503 73 58-01	BUSHING		2	1
5	504 02 24-01	HOSE CLAMP		1	1
6	503 44 32-01	FILTER		1	1
7	503 93 66-01	PRIMER HOUSING		1	
8	537 18 49-01	O-RING		1	1
9	544 88 97-02	TANK CAP		1	
10	503 91 10-01	SUSPENSION		4	
11	578 29 56-01	HOSE NIPPLE		1	1

F 327ES
IGNITION & CLUTCH

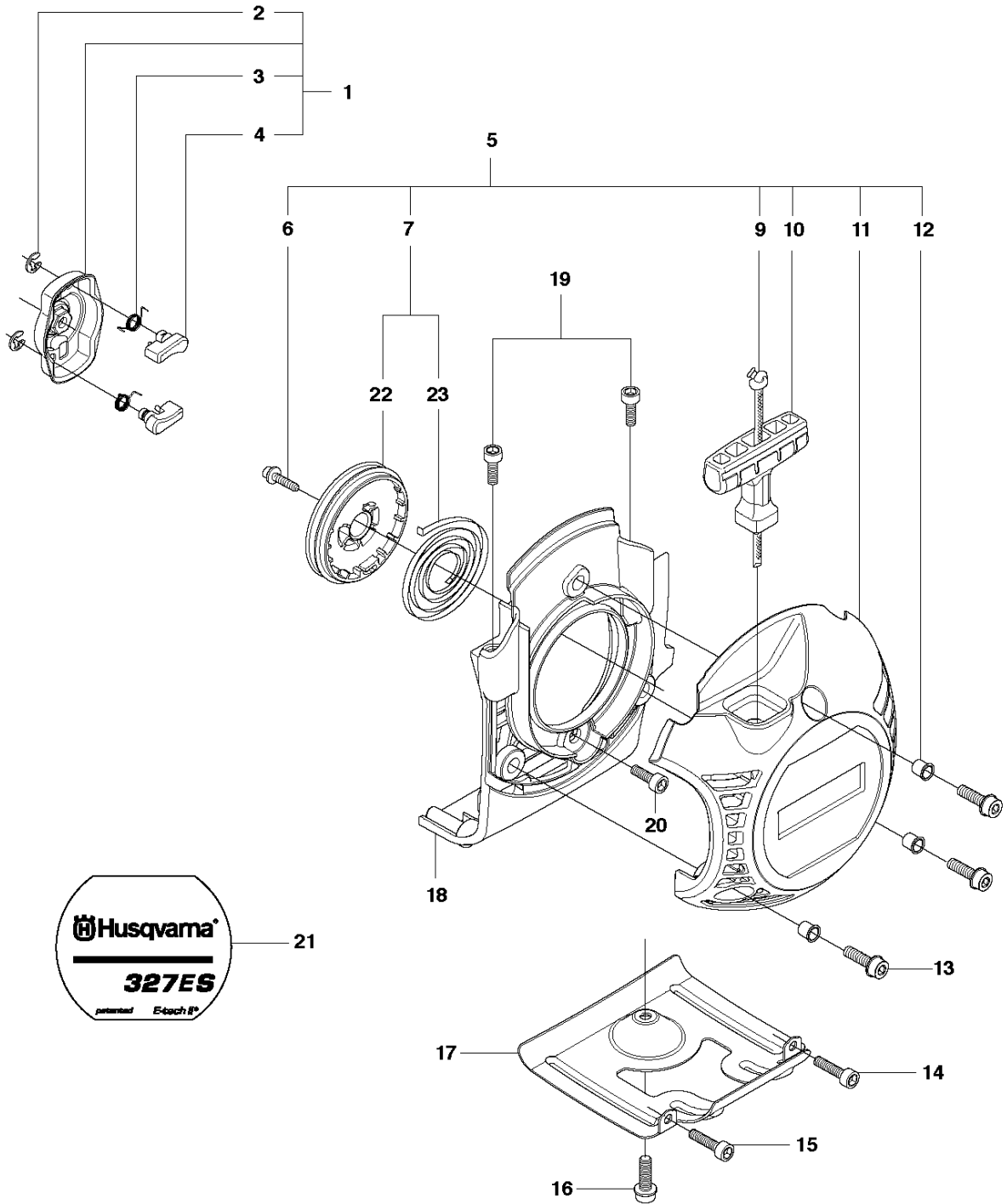


IGNITION SYSTEM & CLUTCH

327 ES, 2012-01

Ref	Part No	Description	Remark	QTY	KIT
1	502 49 36-01	SHORT CIRCUIT CABLE		1	
2	537 43 43-01	SPARK PLUG CAP		1	
3	503 23 51-09	SPARK PLUG	Champion RCJ 6Y	1	
4	544 12 70-01	IGNITION MODULE		1	
5	503 21 66-18	SCREW IH SCT		2	
6	537 23 75-01	CLUTCH DRUM ASSY		1	
7	503 84 29-02	SCREW		2	
8	537 04 67-02	WASHER		1	
9	537 03 22-01	CLUTCH ASSY		1	
10	503 84 28-01	CLUTCH SHOE		2	9
11	503 81 60-01	CLUTCH SPRING		1	9
12	537 04 68-02	WASHER		1	
13	731 71 16-51	HEXAGON NUT FLANGED		1	
14	537 24 96-02	FLYWHEEL		1	
15	501 48 56-01	CONTACT SPRING		1	

D 327ES
STARTER

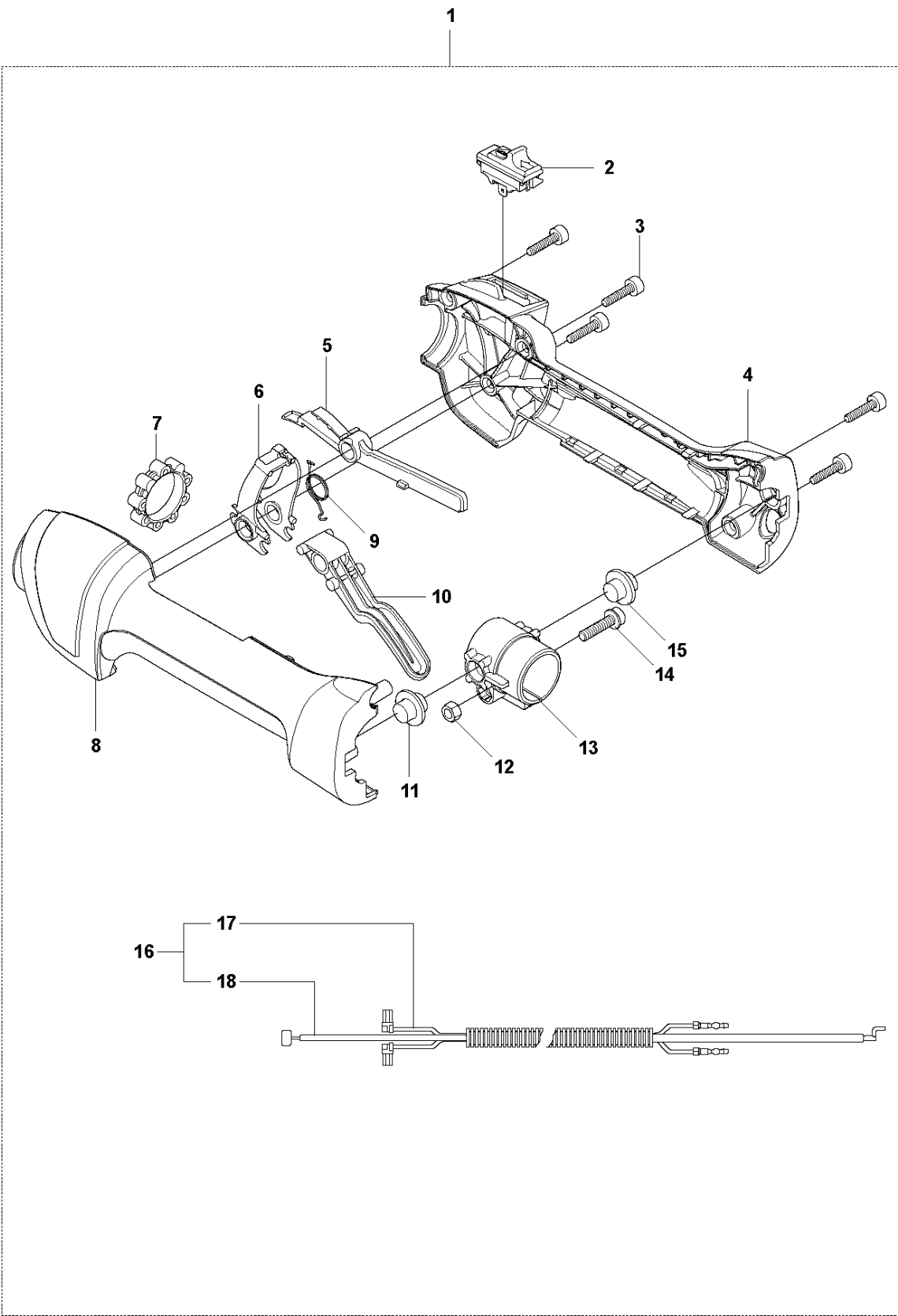


STARTER

327 ES, 2012-01

Ref	Part No	Description	Remark	QTY	KIT
1	503 87 33-05	STARTER PAWL BRIDGE		1	
2	735 31 08-20	E-CLIP		2	1
3	503 87 36-01	SPRING		1	1
4	503 87 35-02	STARTER PAWL		2	1
5	505 19 83-01	STARTER ASSY		1	
6	503 21 77-16	SCREW IH SCT		1	5
7	537 33 23-03	STARTER PULLEY		1	5
8	537 37 93-02	SPACING SLEEVE		2	5
9	505 30 51-25	STARTER CORD		1	5
10	537 00 84-01	STARTER HANDLE		1	5
11	505 14 13-01	STARTER ASSY		1	5
12	537 37 93-02	SPACING SLEEVE		3	5
13	503 20 03-16	SCREW IH SCFM	M5x16	3	
14	503 21 66-18	SCREW IH SCT		1	
15	503 21 66-18	SCREW IH SCT		1	
16	503 20 14-12	SCREW IH SCFMO	M5x12	1	
17	537 03 41-01	PROTECTIVE PLATE		1	
18	505 14 16-01	BRACKET ASSY		1	
19	503 20 03-16	SCREW IH SCFM		2	
20	503 21 53-16	SCREW ITX SCM		1	
21	537 32 24-11	LABEL		1	
22	537 32 50-03	STARTER PULLEY		1	5, 7
23	503 85 99-01	RECOIL SPRING		1	5, 7

B 327ES
THROTTLE CONTROLS



THROTTLE CONTROLS

327 ES, 2012-01

Ref	Part No	Description	Remark	QTY	KIT
1	544 14 36-04	CONTROL		1	
2	537 41 90-01	SWITCH		1	1
3	503 21 66-18	SCREW IHSC T		5	1
4	544 10 02-02	HANDLE HALF RIGHT		1	1
5	503 87 80-01	THROTTLE LOCKOUT		1	1
6	503 91 81-01	THROTTLE LEVER		1	1
7	503 96 14-01	VIBRATION ABSORBER		1	1
8	544 10 03-02	HANDLE HALF LEFT		1	1
9	544 10 08-01	RECOIL SPRING		1	1
10	503 87 79-03	THROTTLE TRIGGER		1	1
11	544 10 17-02	RUBBER DAMPER		1	1
12	731 23 14-01	HEXAGON NUT		1	1
13	544 11 21-01	RETAINER		1	1
14	503 20 03-20	SCREW IHSCFM		1	1
15	544 10 17-02	RUBBER DAMPER		1	1
16	502 65 13-01	WIRING		1	1
17	502 53 16-01	SHORT CIRCUIT CABLE		1	1,16
18	544 17 17-03	THROTTLE WIRE ASSY		1	1,16

THROTTLE CONTROLS & HANDLE BAR

327 ES, 2012-01

Ref	Part No	Description	Remark	QTY	KIT
1	503 21 98-35	SCREW		1	
2	537 07 68-02	HANDLE		1	
3	537 04 25-01	ATTACHMENT PLATE		1	
4	503 22 26-01	NUT		1	
5	537 23 48-01	DRIVE SHAFT		1	
6	503 88 88-01	TUBE		1	
7	503 84 78-01	LABEL		1	
8	503 84 82-02	EDGER BLADE		1	
9	505 17 19-01	PLATE		1	
10	505 17 18-01	BOLT		5	
11	505 17 20-01	PROTECTIVE PLATE		1	
12	505 17 17-01	GUARD		1	
13	505 17 23-01	NUT		2	
14	505 17 48-01	NUT		2	
15	505 17 50-01	WASHER		2	
16	505 16 96-01	BOLT		1	52
17	505 16 97-01	SPRING WASHER		1	52
18	505 16 98-01	WASHER		1	52
19	505 17 14-01	HOLDER(B)		1	52
20	505 17 12-01	HOLDER(A)		1	52
21	505 16 87-01	SEAL		1	52
22	505 16 88-01	LOCK RING		1	52
23	505 16 86-01	BEARING		1	52
24	505 16 94-01	LOCK RING		1	52
25	505 16 95-01	LOCK RING		1	52
26	505 16 93-01	BEARING		1	52
27	505 16 92-01	BEARING		1	52
28	505 16 91-01	PINION		1	52
29	505 16 99-01	BOLT		1	52
30	505 17 00-01	SCREW		1	52
31	505 16 84-01	HOUSING		1	52
32	505 17 15-01	FITTING		1	52
33	505 17 16-01	WASHER		1	52
34	505 16 89-01	SHAFT		1	52
35	505 16 90-01	GEAR WHEEL		1	52
36	505 17 02-01	BEARING		1	52
37	505 16 85-01	O-RING		1	52
38	505 17 01-01	COVER		1	52
39	505 17 06-01	SCREW		3	52
40	505 17 37-01	RUBBER		1	
41	505 17 36-01	PLATE		1	
42	505 17 26-01	BOLT		1	
43	505 17 39-01	SCREW		2	
44	505 17 35-01	BRACKET		1	
45	505 17 46-01	BLADE GUARD BRACKET		1	
46	505 17 47-01	SCREW		2	
47	505 17 50-01	WASHER		2	
48	505 17 33-01	SLEEVE		1	
49	505 17 25-01	WHEEL		1	
50	505 17 29-01	SPRING WASHER		1	
51	505 17 31-01	WING NUT		1	
52	505 16 83-01	GEAR		1	